



Accessories



16120



16122 close up of Gel grip

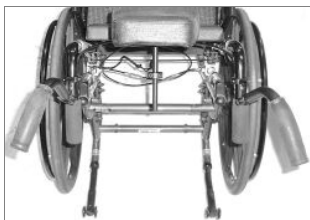
Push handle extensions - fixed

Extensions give an additional 6" in push handle height, extra set screw in collar, custom heights available, sold as a pair.

ITEM #	DESCRIPTION	MOUNT SIZE	GRIP STYLE
16110	PUSH HANDLE EXTENSIONS - FIXED - ONE PAIR	3/4"	FOAM
16120	PUSH HANDLE EXTENSIONS - FIXED - ONE PAIR	7/8"	FOAM
16130	PUSH HANDLE EXTENSIONS - FIXED - ONE PAIR	1"	FOAM
16112	PUSH HANDLE EXTENSIONS - FIXED - ONE PAIR	3/4"	GEL
16122	PUSH HANDLE EXTENSIONS - FIXED - ONE PAIR	7/8"	GEL
16132	PUSH HANDLE EXTENSIONS - FIXED - ONE PAIR	1"	GEL



16137



16137 mounted on tilt in space



16137 close up of ball & socket mount



Push handle extensions - adjustable angle with ball & socket

Extensions give an additional 9" in push handle height, extra set screw in all collars, custom heights available, great for tilt and/or recline chairs. Sold as a pair.

ITEM #	DESCRIPTION	MOUNT SIZE	GRIP STYLE
16115	PUSH HANDLE EXTENSIONS - MULTI-ADJUSTABLE - ONE PAIR	3/4"	FOAM
16125	PUSH HANDLE EXTENSIONS - MULTI-ADJUSTABLE - ONE PAIR	7/8"	FOAM
16135	PUSH HANDLE EXTENSIONS - MULTI-ADJUSTABLE - ONE PAIR	1"	FOAM
16117	PUSH HANDLE EXTENSIONS - MULTI-ADJUSTABLE - ONE PAIR	3/4"	GEL
16127	PUSH HANDLE EXTENSIONS - MULTI-ADJUSTABLE - ONE PAIR	7/8"	GEL
16137	PUSH HANDLE EXTENSIONS - MULTI-ADJUSTABLE - ONE PAIR	1"	GEL



Accessories



18640



Use double collars (page 45) from wheelchair frame to main tube and/or lollipop mount (page 40) inserted into bottom of tube for mounting to wheelchair frame.

Oxygen tank mounting

Adjustable height support rings with thumb screws, 1" diameter main tube fits over 7/8" round tube and locks with a set screw, 4-3/4" diameter tank capacity, see above examples for mounting ideas.

ITEM #	DESCRIPTION
18640	OXYGEN TANK HOLDER



18660



Use double collars (page 45) from wheelchair frame to main tube and/or lollipop mount (page 40) inserted into bottom of tube for mounting to wheelchair frame.



Oxygen tank mounting with IV pole

Adjustable height support rings with thumb screws, 1" diameter main tube fits over 7/8" round tube and locks with a set screw, 4-3/4" diameter tank capacity, aluminum IV pole extends to 31", see above examples for mounting ideas.

ITEM #	DESCRIPTION
18660	OXYGEN TANK HOLDER WITH IV POLE



Accessories



18610



Removable mount



Angle adjustable & removable mount

IV pole

Lightweight aluminum pole, easy drop-in style receiver with stop collar for height adjustment, 32" long post

ITEM #	DESCRIPTION	MOUNTING SIZE
18600	IV POLE WITH REMOVABLE MOUNT	3/4"
18610	IV POLE WITH REMOVABLE MOUNT	7/8"
18620	IV POLE WITH REMOVABLE MOUNT	1"
18602	IV POLE WITH REMOVABLE AND ADJUSTABLE ANGLE MOUNT	3/4"
18612	IV POLE WITH REMOVABLE AND ADJUSTABLE ANGLE MOUNT	7/8"
18622	IV POLE WITH REMOVABLE AND ADJUSTABLE ANGLE MOUNT	1"



Accessories



Joystick extensions

Lightweight extensions with set screw in standard sizes or custom made to your specifications. Please supply hole diameter, and simple drawing of custom extensions. Part # 17306 features a lightweight Comfort-Grip textured soft thermoplastic elastomer ball for superior grip.

ITEM #	DESCRIPTION	HOLE DIAMETER	POST HEIGHT	WIDTH	GOAL POST HT.
17300	JOYSTICK EXTENSION - STRAIGHT POST	1/4"	4"		
17310	JOYSTICK EXTENSION - STRAIGHT POST	CUSTOM	CUSTOM		
17302	JOYSTICK EXTENSION - T-BAR	1/4"	1-1/2"	4"	
17312	JOYSTICK EXTENSION - T-BAR	CUSTOM	CUSTOM	CUSTOM	
17304	JOYSTICK EXTENSION - GOAL POST	1/4"	1-1/2"	4"	1-1/2"
17314	JOYSTICK EXTENSION - GOAL POST	CUSTOM	CUSTOM	CUSTOM	CUSTOM
17306	JOYSTICK EXTENSION - COMFORT GRIP BALL	1/4"	1-1/2"		
17316	JOYSTICK EXTENSION - COMFORT GRIP BALL	CUSTOM	CUSTOM		
17390	JOYSTICK EXTENSION KIT (ALL 4 STANDARD TYPES)				



17320



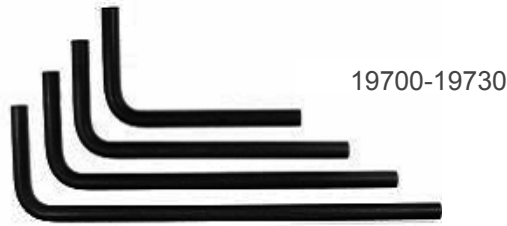
Switch extension

Lightweight toggle switch extension fits standard 1/4" diameter post, supplied with a set screw, standard length is 3", custom lengths available at no upcharge (specify custom length on purchase order).

ITEM #	DESCRIPTION	LENGTH
17320	TOGGLE SWITCH EXTENSION	3"
17330	TOGGLE SWITCH EXTENSION	CUSTOM



Hardware



L-rods

Lightweight 7/16" round aluminum, hard black anodized

ITEM #	DESCRIPTION
19700	L-ROD 3" X 5"
19710	L-ROD 3" X 7"
19720	L-ROD 3" X 9"
19730	L-ROD 3" X 11"



Collar with bolt

ITEM #	DESCRIPTION
18790	7/16" COLLAR WITH 5/16-18 CARRIAGE BOLT



18764 mounted on seat rail

Rail adapters

Adapters allow 7/8" collars and clamps to be mounted on rails, "multimount" type is for "Labac" back tapped-hole rails.

ITEM #	DESCRIPTION	STYLE	7/8" TUBE LENGTH
18760	RAIL ADAPTER - "MULTIMOUNT"	HORIZONTAL	4"
18762	RAIL ADAPTER - "MULTIMOUNT"	HORIZONTAL	6"
18764	RAIL ADAPTER - TRACK MOUNT	VERTICAL	2"
18766	RAIL ADAPTER - TRACK MOUNT	VERTICAL	4"
18768	RAIL ADAPTER - TRACK MOUNT	VERTICAL	6"
18774	RAIL ADAPTER - "MULTIMOUNT"	VERTICAL	2"
18776	RAIL ADAPTER - "MULTIMOUNT"	VERTICAL	4"
18778	RAIL ADAPTER - "MULTIMOUNT"	VERTICAL	6"



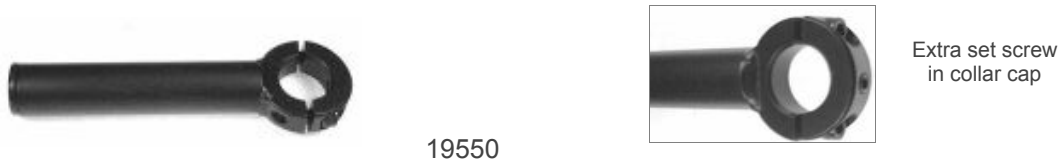
Hardware



Lollipop mount

Versatile mount with 7/8" diameter steel round tube TIG welded to collar.

ITEM #	DESCRIPTION	TUBE LENGTH	COLLAR SIZE
19511	LOLLIPOP MOUNT - SINGLE COLLAR	2"	3/4"
19521	LOLLIPOP MOUNT - SINGLE COLLAR	2"	7/8"
19531	LOLLIPOP MOUNT - SINGLE COLLAR	2"	1"
19510	LOLLIPOP MOUNT - SINGLE COLLAR	4"	3/4"
19520	LOLLIPOP MOUNT - SINGLE COLLAR	4"	7/8"
19530	LOLLIPOP MOUNT - SINGLE COLLAR	4"	1"
19512	LOLLIPOP MOUNT - SINGLE COLLAR	6"	3/4"
19522	LOLLIPOP MOUNT - SINGLE COLLAR	6"	7/8"
19532	LOLLIPOP MOUNT - SINGLE COLLAR	6"	1"
19514	LOLLIPOP MOUNT - SINGLE COLLAR	8"	3/4"
19524	LOLLIPOP MOUNT - SINGLE COLLAR	8"	7/8"
19534	LOLLIPOP MOUNT - SINGLE COLLAR	8"	1"



Lollipop mount with extra set screw

Versatile mount with 7/8" diameter steel round tube TIG welded to collar with extra set screw in cap.

ITEM #	DESCRIPTION	TUBE LENGTH	COLLAR SIZE
19540	LOLLIPOP MOUNT - SINGLE COLLAR WITH EXTRA SET SCREW	4"	3/4"
19550	LOLLIPOP MOUNT - SINGLE COLLAR WITH EXTRA SET SCREW	4"	7/8"
19560	LOLLIPOP MOUNT - SINGLE COLLAR WITH EXTRA SET SCREW	4"	1"
19542	LOLLIPOP MOUNT - SINGLE COLLAR WITH EXTRA SET SCREW	6"	3/4"
19552	LOLLIPOP MOUNT - SINGLE COLLAR WITH EXTRA SET SCREW	6"	7/8"
19562	LOLLIPOP MOUNT - SINGLE COLLAR WITH EXTRA SET SCREW	6"	1"
19544	LOLLIPOP MOUNT - SINGLE COLLAR WITH EXTRA SET SCREW	8"	3/4"
19554	LOLLIPOP MOUNT - SINGLE COLLAR WITH EXTRA SET SCREW	8"	7/8"
19564	LOLLIPOP MOUNT - SINGLE COLLAR WITH EXTRA SET SCREW	8"	1"



19582



Extra set screw
in one collar cap

Lollipop mount with dual collars

Versatile extra strong mount with 7/8" diameter steel round tube TIG welded to dual collars.

ITEM #	DESCRIPTION	TUBE LENGTH	COLLAR SIZE
19570	LOLLIPOP MOUNT - DUAL COLLARS	4"	3/4"
19580	LOLLIPOP MOUNT - DUAL COLLARS	4"	7/8"
19590	LOLLIPOP MOUNT - DUAL COLLARS	4"	1"
19572	LOLLIPOP MOUNT - DUAL COLLARS	6"	3/4"
19582	LOLLIPOP MOUNT - DUAL COLLARS	6"	7/8"
19592	LOLLIPOP MOUNT - DUAL COLLARS	6"	1"
19574	LOLLIPOP MOUNT - DUAL COLLARS	8"	3/4"
19584	LOLLIPOP MOUNT - DUAL COLLARS	8"	7/8"
19594	LOLLIPOP MOUNT - DUAL COLLARS	8"	1"



19640



Lollipop mount for "Quickie" Double D style footrest extension tube

Keyed collar with extra set screw securely mounts to "Quickie" double D tubes

ITEM #	DESCRIPTION	TUBE LENGTH	COLLAR SIZE
19640	LOLLIPOP MOUNT FOR DOUBLE D TUBE	4"	3/4" DOUBLE D
19642	LOLLIPOP MOUNT FOR DOUBLE D TUBE	6"	3/4" DOUBLE D
19644	LOLLIPOP MOUNT FOR DOUBLE D TUBE	8"	3/4" DOUBLE D



19690

Lollipop mount with quick release angle adjustment

Versatile mount with 7/8" diameter steel round tube TIG welded to collar with quick release angle adjustment.

ITEM #	DESCRIPTION	TUBE LENGTH	COLLAR SIZE
19670	LOLLIPOP MOUNT WITH QUICK RELEASE ANGLE ADJUSTMENT	4"	3/4"
19680	LOLLIPOP MOUNT WITH QUICK RELEASE ANGLE ADJUSTMENT	4"	7/8"
19690	LOLLIPOP MOUNT WITH QUICK RELEASE ANGLE ADJUSTMENT	4"	1"
19672	LOLLIPOP MOUNT WITH QUICK RELEASE ANGLE ADJUSTMENT	6"	3/4"
19682	LOLLIPOP MOUNT WITH QUICK RELEASE ANGLE ADJUSTMENT	6"	7/8"
19692	LOLLIPOP MOUNT WITH QUICK RELEASE ANGLE ADJUSTMENT	6"	1"
19674	LOLLIPOP MOUNT WITH QUICK RELEASE ANGLE ADJUSTMENT	8"	3/4"
19684	LOLLIPOP MOUNT WITH QUICK RELEASE ANGLE ADJUSTMENT	8"	7/8"
19694	LOLLIPOP MOUNT WITH QUICK RELEASE ANGLE ADJUSTMENT	8"	1"



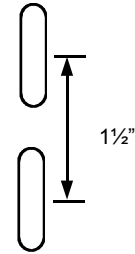
Hardware



19610

Foot plate mount

ITEM #	DESCRIPTION	COLLAR SIZE
19608	FOOT PLATE MOUNT	3/4"
19610	FOOT PLATE MOUNT	7/8"
19612	FOOT PLATE MOUNT	1"



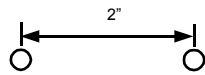
Mounting slots



18702



18712



Mounting holes



18722



18732



18706



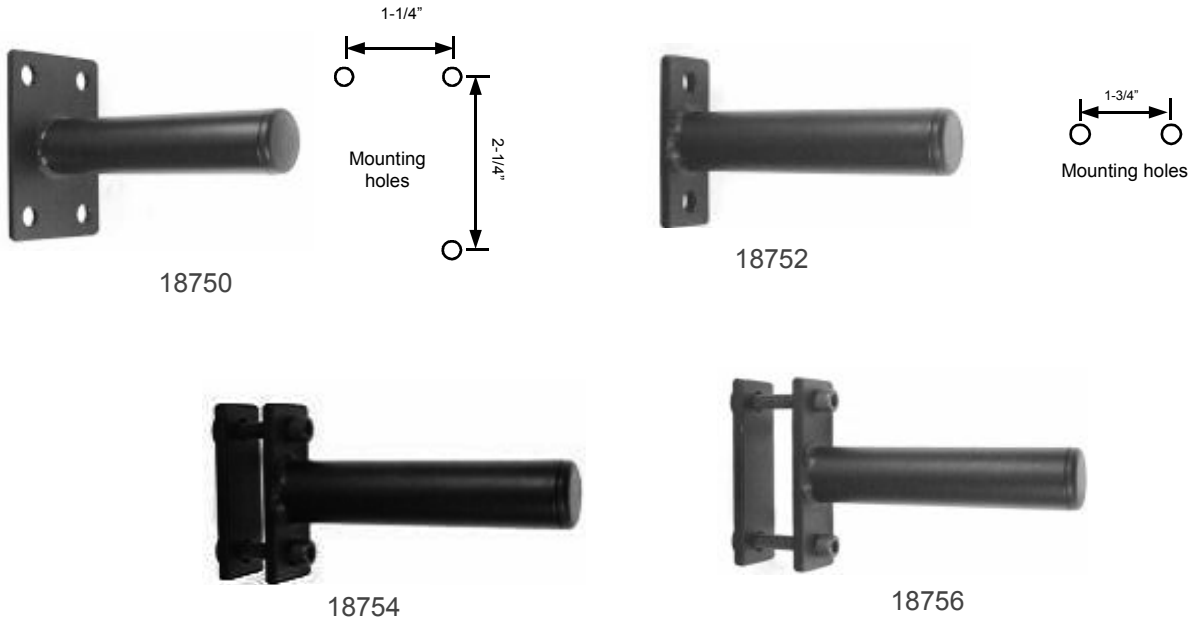
Mounting holes

Surface mount with collar

ITEM #	DESCRIPTION	COLLAR SIZE
18706	SURFACE MOUNT WITH COLLAR	7/16" (SMALL O.D.)
18702	SURFACE MOUNT WITH COLLAR	7/16"
18712	SURFACE MOUNT WITH COLLAR	3/4"
18722	SURFACE MOUNT WITH COLLAR	7/8"
18732	SURFACE MOUNT WITH COLLAR	1"



Hardware



Surface mount with tube

Available with custom tube lengths and/or mounting hole position.

ITEM #	DESCRIPTION	7/8" TUBE LENGTH
18740	SURFACE MOUNT WITH TUBE - 4 HOLE PLATE	2"
18750	SURFACE MOUNT WITH TUBE - 4 HOLE PLATE	4"
18742	SURFACE MOUNT WITH TUBE - TRACK OR RAIL PLATE	2"
18752	SURFACE MOUNT WITH TUBE - TRACK OR RAIL PLATE	4"
18744	SURFACE MOUNT WITH TUBE - FOR 3/4" X 1-1/2" RECTANGULAR TUBE	2"
18754	SURFACE MOUNT WITH TUBE - FOR 3/4" X 1-1/2" RECTANGULAR TUBE	4"
18746	SURFACE MOUNT WITH TUBE - FOR 1" X 2" RECTANGULAR TUBE	2"
18756	SURFACE MOUNT WITH TUBE - FOR 1" X 2" RECTANGULAR TUBE	4"



18874

Collar with 5/16" stud

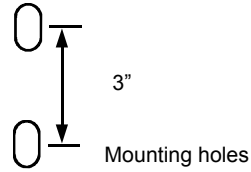
ITEM #	DESCRIPTION	COLLAR SIZE
18870	COLLAR WITH 5/16" STUD	3/4"
18872	COLLAR WITH 5/16" STUD	7/8"
18874	COLLAR WITH 5/16" STUD	1"



Hardware



18780



18783

Surface mount with tube

Available with custom tube lengths and/or mounting hole position.

ITEM #	DESCRIPTION	7/8" TUBE LENGTH
18780	SURFACE MOUNT WITH TUBE - 2 HOLE 3/16" THICK PLATE	2"
18781	SURFACE MOUNT WITH TUBE - 2 HOLE 3/16" THICK PLATE	4"
18782	SURFACE MOUNT WITH TUBE - 2 HOLE 3/16" THICK PLATE	6"
18783	SURFACE MOUNT WITH TUBE - 2 HOLE 3/16" THICK PLATE	8"
18784	SURFACE MOUNT WITH TUBE - 2 HOLE 3/16" THICK PLATE	10"
18785	SURFACE MOUNT WITH TUBE - 2 HOLE 3/16" THICK PLATE	12"



19984



19984 removed

Double collar - removable 7/16"

ITEM #	DESCRIPTION	MAIN MOUNT COLLAR SIZE
19980	REMOVABLE DOUBLE COLLAR FOR 7/16" ROD	7/16"
19982	REMOVABLE DOUBLE COLLAR FOR 7/16" ROD	3/4"
19984	REMOVABLE DOUBLE COLLAR FOR 7/16" ROD	7/8"
19986	REMOVABLE DOUBLE COLLAR FOR 7/16" ROD	1"



Hardware



19802



19822

Double collars

ITEM #	DESCRIPTION	COLLAR SIZES
19800	DOUBLE COLLAR - PERPENDICULAR	7/16" - 7/16"
19802	DOUBLE COLLAR - PERPENDICULAR	7/16" - 3/4"
19804	DOUBLE COLLAR - PERPENDICULAR	7/16" - 7/8"
19806	DOUBLE COLLAR - PERPENDICULAR	7/16" - 1"
19810	DOUBLE COLLAR - PERPENDICULAR	3/4" - 3/4"
19812	DOUBLE COLLAR - PERPENDICULAR	3/4" - 7/8"
19814	DOUBLE COLLAR - PERPENDICULAR	3/4" - 1"
19820	DOUBLE COLLAR - PERPENDICULAR	7/8" - 7/8"
19822	DOUBLE COLLAR - PERPENDICULAR	7/8" - 1"
19830	DOUBLE COLLAR - PERPENDICULAR	1" - 1"



19842



19862

Double collars

ITEM #	DESCRIPTION	COLLAR SIZES
19840	DOUBLE COLLAR - PARALLEL	7/16" - 7/16"
19842	DOUBLE COLLAR - PARALLEL	7/16" - 3/4"
19844	DOUBLE COLLAR - PARALLEL	7/16" - 7/8"
19846	DOUBLE COLLAR - PARALLEL	7/16" - 1"
19850	DOUBLE COLLAR - PARALLEL	3/4" - 3/4"
19852	DOUBLE COLLAR - PARALLEL	3/4" - 7/8"
19854	DOUBLE COLLAR - PARALLEL	3/4" - 1"
19860	DOUBLE COLLAR - PARALLEL	7/8" - 7/8"
19862	DOUBLE COLLAR - PARALLEL	7/8" - 1"
19870	DOUBLE COLLAR - PARALLEL	1" - 1"



Hardware



19902



19922

Double collars with 2" spacer

Available with custom length spacer.

ITEM #	DESCRIPTION	COLLAR SIZES
19900	DOUBLE COLLAR WITH 2" SPACER - PERPENDICULAR	7/16" - 7/16"
19902	DOUBLE COLLAR WITH 2" SPACER - PERPENDICULAR	7/16" - 3/4"
19904	DOUBLE COLLAR WITH 2" SPACER - PERPENDICULAR	7/16" - 7/8"
19906	DOUBLE COLLAR WITH 2" SPACER - PERPENDICULAR	7/16" - 1"
19910	DOUBLE COLLAR WITH 2" SPACER - PERPENDICULAR	3/4" - 3/4"
19912	DOUBLE COLLAR WITH 2" SPACER - PERPENDICULAR	3/4" - 7/8"
19914	DOUBLE COLLAR WITH 2" SPACER - PERPENDICULAR	3/4" - 1"
19920	DOUBLE COLLAR WITH 2" SPACER - PERPENDICULAR	7/8" - 7/8"
19922	DOUBLE COLLAR WITH 2" SPACER - PERPENDICULAR	7/8" - 1"
19930	DOUBLE COLLAR WITH 2" SPACER - PERPENDICULAR	1" - 1"



19942



19962

Double collars with 2" spacer

Available with custom length spacer.

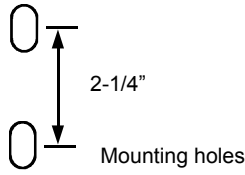
ITEM #	DESCRIPTION	COLLAR SIZES
19940	DOUBLE COLLAR WITH 2" SPACER - PARALLEL	7/16" - 7/16"
19942	DOUBLE COLLAR WITH 2" SPACER - PARALLEL	7/16" - 3/4"
19944	DOUBLE COLLAR WITH 2" SPACER - PARALLEL	7/16" - 7/8"
19946	DOUBLE COLLAR WITH 2" SPACER - PARALLEL	7/16" - 1"
19950	DOUBLE COLLAR WITH 2" SPACER - PARALLEL	3/4" - 3/4"
19952	DOUBLE COLLAR WITH 2" SPACER - PARALLEL	3/4" - 7/8"
19954	DOUBLE COLLAR WITH 2" SPACER - PARALLEL	3/4" - 1"
19960	DOUBLE COLLAR WITH 2" SPACER - PARALLEL	7/8" - 7/8"
19962	DOUBLE COLLAR WITH 2" SPACER - PARALLEL	7/8" - 1"
19970	DOUBLE COLLAR WITH 2" SPACER - PARALLEL	1" - 1"



Hardware



18841



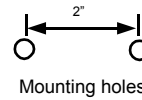
18841
with
18856



18843
with
18821



18844



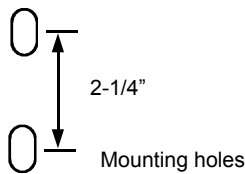
Socket surface mounts

Use with straight bar with ball or collar with ball (see next page).

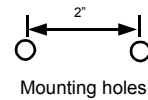
ITEM #	DESCRIPTION
18841	FLAT SURFACE BALL & SOCKET MOUNT
18843	CURVED SURFACE BALL & SOCKET MOUNT
18844	PARALLEL SURFACE BALL & SOCKET MOUNT



18851



18853



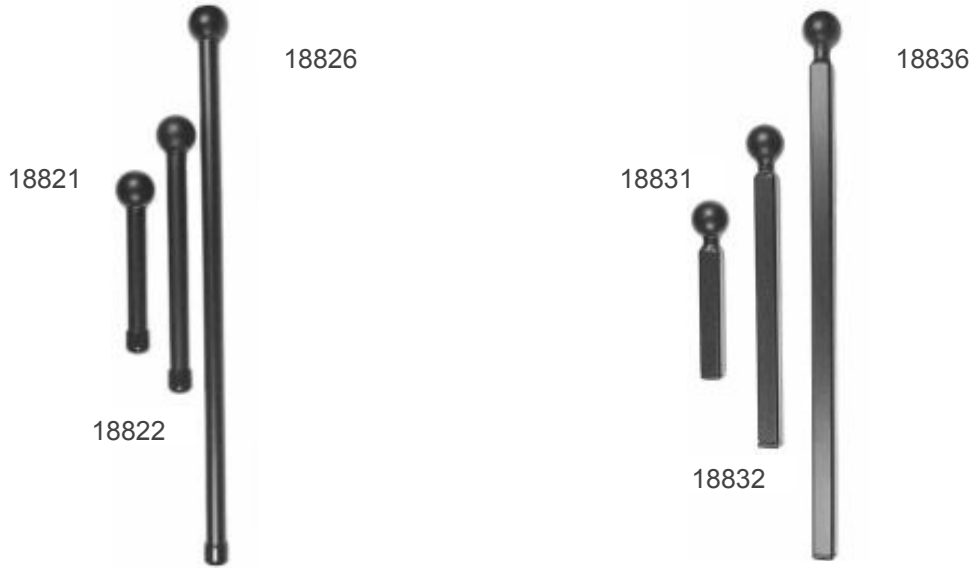
Socket surface mount - quick release adjustment

Quick release feature allows easy angle adjustment, use with straight bar with ball or collar with ball (see next page).

ITEM #	DESCRIPTION
18851	FLAT SURFACE BALL & SOCKET MOUNT WITH QUICK RELEASE
18860	CURVED SURFACE BALL & SOCKET MOUNT WITH QUICK RELEASE
18853	PARALLEL SURFACE BALL & SOCKET MOUNT WITH QUICK RELEASE



Hardware



Straight bar with ball
Use with socket surface mounts (see previous page).

ITEM #	DESCRIPTION	LENGTH
18821	STRAIGHT BAR WITH BALL - 7/16" ROUND ROD	4"
18822	STRAIGHT BAR WITH BALL - 7/16" ROUND ROD	6"
18826	STRAIGHT BAR WITH BALL - 7/16" ROUND ROD	12"
18831	STRAIGHT BAR WITH BALL - 1/2" SQUARE TUBE	4"
18832	STRAIGHT BAR WITH BALL - 1/2" SQUARE TUBE	6"
18836	STRAIGHT BAR WITH BALL - 1/2" SQUARE TUBE	12"



Collar with ball
Use with socket surface mounts (see previous page).

ITEM #	DESCRIPTION	COLLAR SIZE
18852	COLLAR WITH BALL	7/16"
18854	COLLAR WITH BALL	3/4"
18856	COLLAR WITH BALL	7/8"
18858	COLLAR WITH BALL	1"



Upright post / back cane

Upright post / back cane

Powder coated cold-drawn steel tube replacement cane. 30½” standard height. Available with a straight (0 degree), 8 degree bend (approx. 19” up), or custom angle bend (specify on purchase order). No pre-drilled holes, must be drilled upon installation. Sold as each.

ITEM #	DESCRIPTION	TUBE DIAMETER
18400	UPRIGHT POST / BACK CANE - 0 DEGREE BEND	3/4”
18402	UPRIGHT POST / BACK CANE - 8 DEGREE BEND	3/4”
18404	UPRIGHT POST / BACK CANE - CUSTOM BEND	3/4”
18410	UPRIGHT POST / BACK CANE - 0 DEGREE BEND	7/8”
18412	UPRIGHT POST / BACK CANE - 8 DEGREE BEND	7/8”
18414	UPRIGHT POST / BACK CANE - CUSTOM BEND	7/8”
18420	UPRIGHT POST / BACK CANE - 0 DEGREE BEND	1”
18422	UPRIGHT POST / BACK CANE - 8 DEGREE BEND	1”
18424	UPRIGHT POST / BACK CANE - CUSTOM BEND	1”



18412

Upright post / back cane with adapter

Powder coated cold-drawn steel tube replacement cane with 5” adapter on lower section. Allows for custom molded backs to be interchanged from the client’s power chair to their manual chair. 30½” standard height. Available with a straight (0 degree), 8 degree bend (approx. 19” up), or custom angle bend (specify on purchase order). No pre-drilled holes, must be drilled upon installation. Sold as each.

ITEM #	DESCRIPTION	LOWER TUBE DIAMETER	UPPER TUBE DIAMETER
18450	UPRIGHT POST WITH ADAPTER - 0 DEGREE BEND	3/4”	7/8”
18451	UPRIGHT POST WITH ADAPTER - 0 DEGREE BEND	3/4”	1”
18452	UPRIGHT POST WITH ADAPTER - 8 DEGREE BEND	3/4”	7/8”
18453	UPRIGHT POST WITH ADAPTER - 8 DEGREE BEND	3/4”	1”
18454	UPRIGHT POST WITH ADAPTER - CUSTOM BEND	3/4”	7/8”
18455	UPRIGHT POST WITH ADAPTER - CUSTOM BEND	3/4”	1”
18460	UPRIGHT POST WITH ADAPTER - 0 DEGREE BEND	7/8”	3/4”
18461	UPRIGHT POST WITH ADAPTER - 0 DEGREE BEND	7/8”	1”
18462	UPRIGHT POST WITH ADAPTER - 8 DEGREE BEND	7/8”	3/4”
18463	UPRIGHT POST WITH ADAPTER - 8 DEGREE BEND	7/8”	1”
18464	UPRIGHT POST WITH ADAPTER - CUSTOM BEND	7/8”	3/4”
18465	UPRIGHT POST WITH ADAPTER - CUSTOM BEND	7/8”	1”
18470	UPRIGHT POST WITH ADAPTER - 0 DEGREE BEND	1”	3/4”
18471	UPRIGHT POST WITH ADAPTER - 0 DEGREE BEND	1”	7/8”
18472	UPRIGHT POST WITH ADAPTER - 8 DEGREE BEND	1”	3/4”
18473	UPRIGHT POST WITH ADAPTER - 8 DEGREE BEND	1”	7/8”
18474	UPRIGHT POST WITH ADAPTER - CUSTOM BEND	1”	3/4”
18475	UPRIGHT POST WITH ADAPTER - CUSTOM BEND	1”	7/8”



18473



Support Pads



83010



83040



83070

Support pads

Oval support pads covered with water resistant/barrier stretch fabric.

ITEM #	DESCRIPTION	SIZE
83010	SMALL OVAL SUPPORT PAD	3-1/2" X 4-1/2"
83040	MEDIUM OVAL SUPPORT PAD	4-1/2" X 5-1/2"
83070	LARGE OVAL SUPPORT PAD	5-1/2" X 6-1/2"



83442 pads shown with mounting (see page 18)

Three piece adjustable head rest - PADS ONLY

Pads covered with water resistant/barrier stretch fabric.

ITEM #	DESCRIPTION	CENTER PAD SIZE	SIDE PADS
83440	SMALL PADS FOR 3-PIECE ADJ. HEAD REST - PADS ONLY	5"W X 4"H	4"W X 3-1/2"H
83442	MEDIUM PADS FOR 3-PIECE ADJ. HEAD REST - PADS ONLY	5"W X 4"H	5"W X 3-1/2"H
83444	LARGE PADS FOR 3-PIECE ADJ. HEAD REST - PADS ONLY	6"W X 5"H	6"W X 4"H